

Replace fan 855407 with 855413

Instructions

English | 2023-01-18

Content

1. Reason	1
2. Required parts.	1
3. Required tools.	1
4. Preparations	1
5. Instructions.	2
5.1. Removal of condenser fan.	2
5.2. Remove fan grids	3
5.3. Reinstall 855407 grid on 858513 fan	3
5.4. Mount the fan with grid	4
5.5. Start up	4
Contact information Wedholms AB	5

Replace fan 855407 with 855413

1. Reason

Due to that our supplier currently cannot deliver 500mm fans (855407), we recommend to use 420mm fan 855413 as replacement in event of failure.

This solution isn't ideal, but, the most efficient way to solve the immediate problem. The smaller fan will have reduced efficiency that might not manage to fulfil cooling effect on very warm days. Note that this must be monitored after replacement.

855413 has 30% lower capacity than 855407.

2. Required parts

Fan 420mm, 855413, 1 pc

Cable tie 200x4.5mm, 824106, 5 pc

Warning label, 870371 1 pc

3. Required tools

Screwdriver flat, 0.6mm x 3.5mm

Torx key, T15 and T30

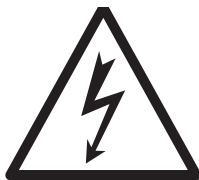
Spanner, 10mm

Wrench, adjustable

Loctite 243

4. Preparations

Switch off and lock mains power switch.



WARNING!

Do not perform any work unless electric power supply is switched off.



WARNING! Rotating fan

The fans starts automatically. Do not touch unless electric power supply is switched off

5. Instructions

5.1. Removal of condenser fan

Unscrew the two screws (1, fig 1) using a Torx T15 key. Remove junction box cover (2, fig 1).

Use a flat screwdriver 0.6mm x 3.5mm to unscrew wires from terminals (fig 2).

Remove cable from gland (3, fig 1).



NOTE!

Note placement of wire numbers/colors.

Unscrew the four screws holding fan with grid (4, fig 1) using a 10mm spanner.

Remove fan with grid.

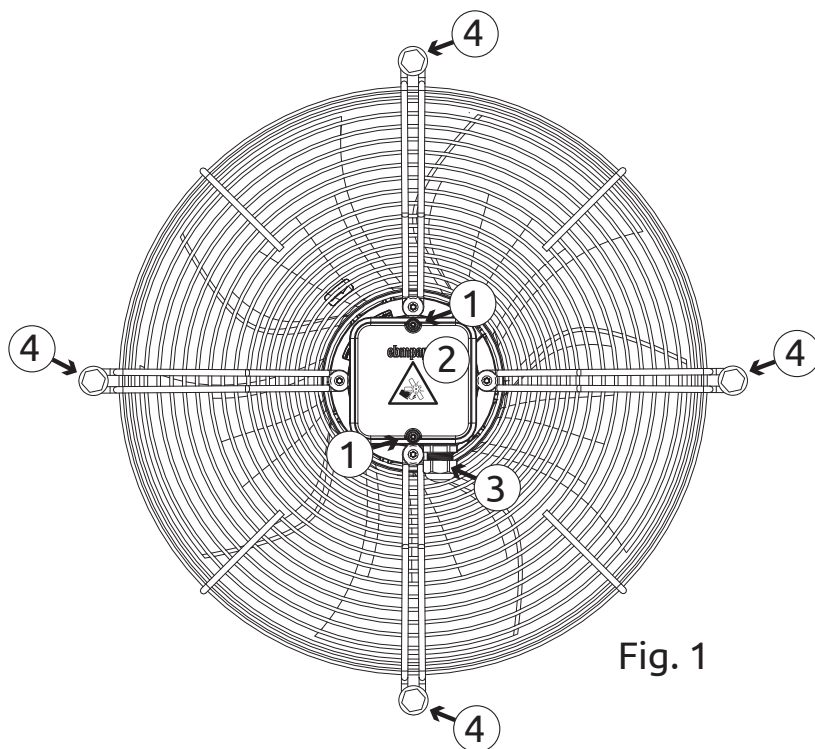


Fig. 1

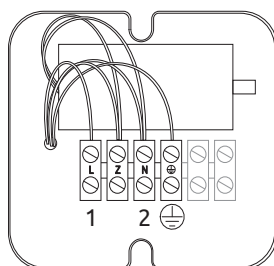


Fig. 2

5.2. Remove fan grids

Remove grid from both 855407 and 858513

Unscrew the four screws (1, fig 3) using a Torx T30 key.

Remove cable gland (2, fig 3)

Remove grid from fan.



NOTE!

Screws are secured with thread locker. Increased force or heat might be required

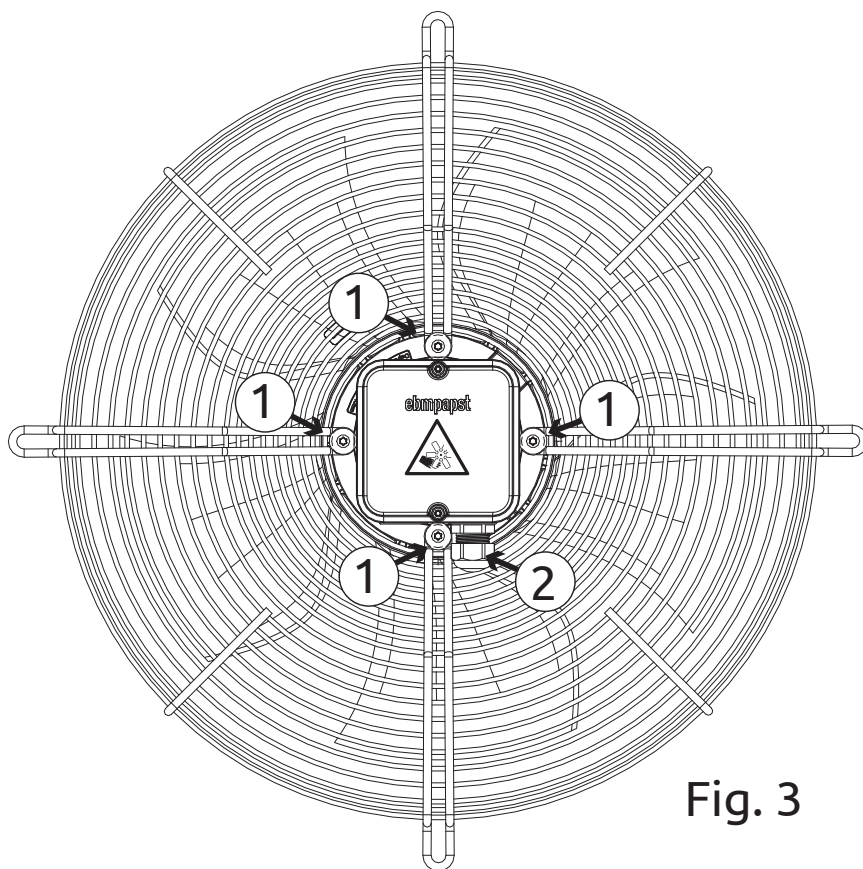


Fig. 3

5.3. Reinstall 855407 grid on 858513 fan

Mount the old 855407 grid on the new 858513 fan.

Reinstall the four screws (1, fig 3) with Loctite 243 applied. Use Torx T30 key.

Reinstall cable gland (2, fig 3) and tighten with an adjustable wrench.

5.4. Mount the fan with grid

Reinstall the new fan as previously mounted. Cable gland downwards.

Reinstall the four screws (1, fig 4). Use a 10mm spanner.

Connect wires as previous connected. (Fig 5) and reinstall cover using a Torx T15 key.

Secure cables with gland and cable ties. Place the warning label (2, fig 4).

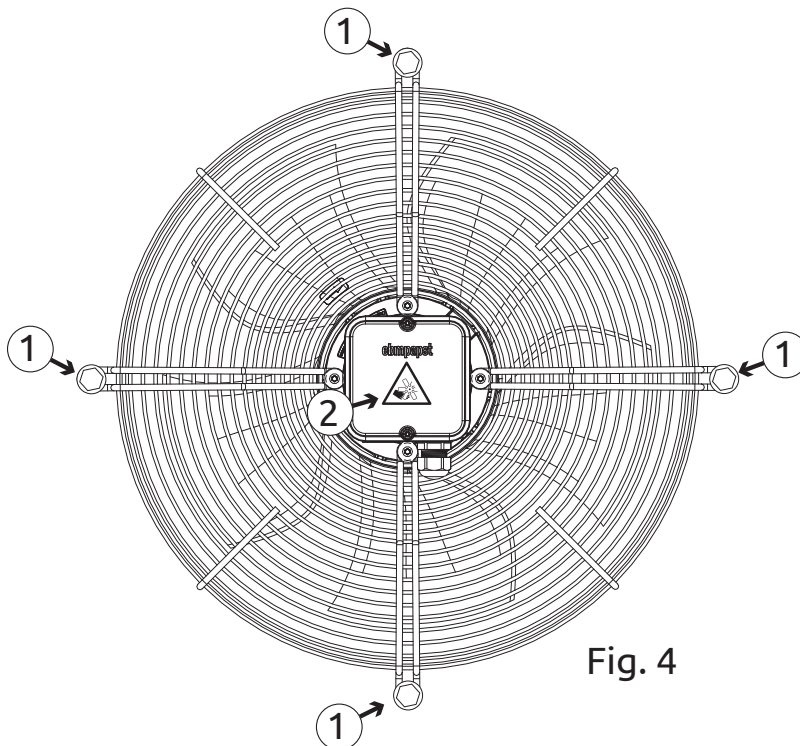


Fig. 4

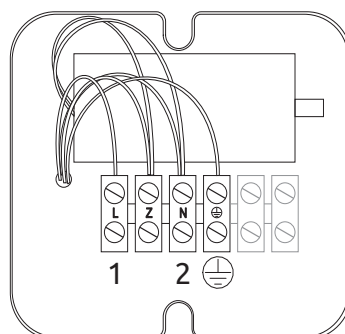


Fig. 5

5.5. Start up

Reconnect mains power and perform a test of fan. See tank manual.



Contact information Wedholms AB

Order:	order@wedholms.se
Support:	support@wedholms.se
Spare parts:	spareparts@wedholms.se
Warranty:	warranty@wedholms.se

Support telephone: +46-155-28 03 80