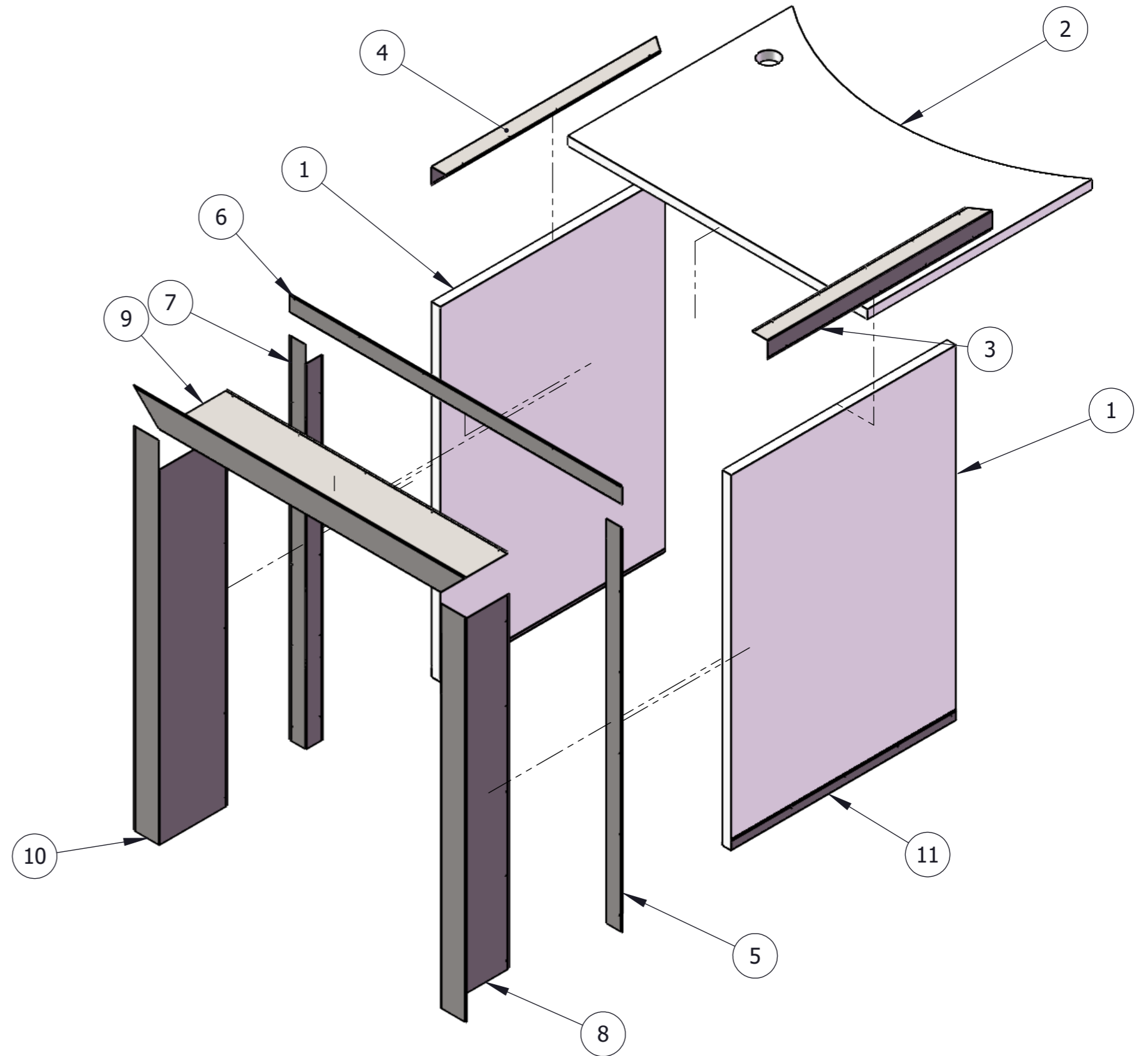
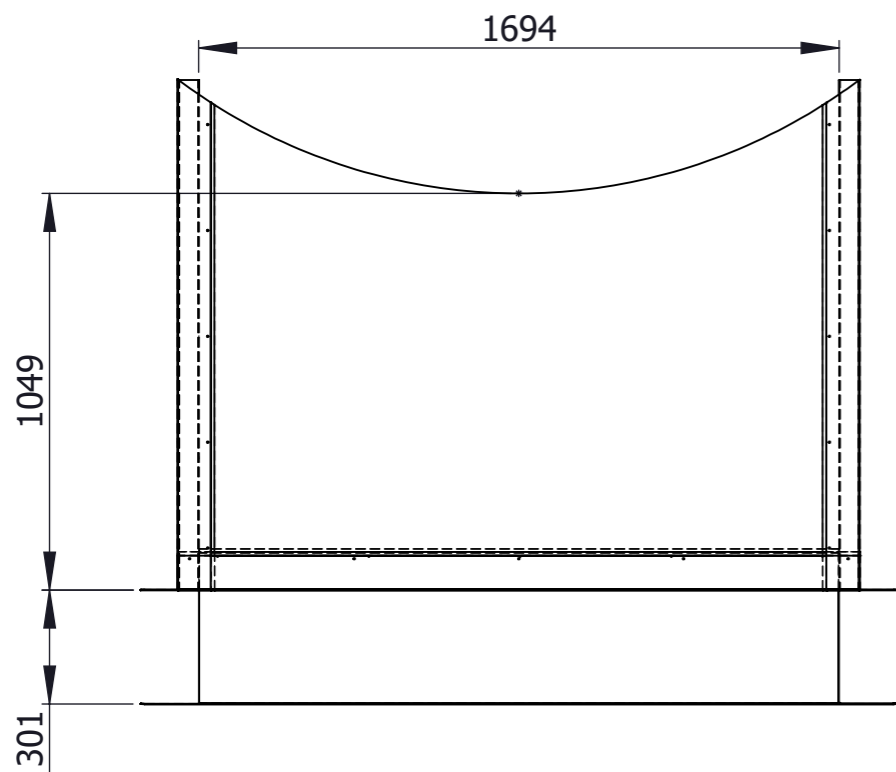
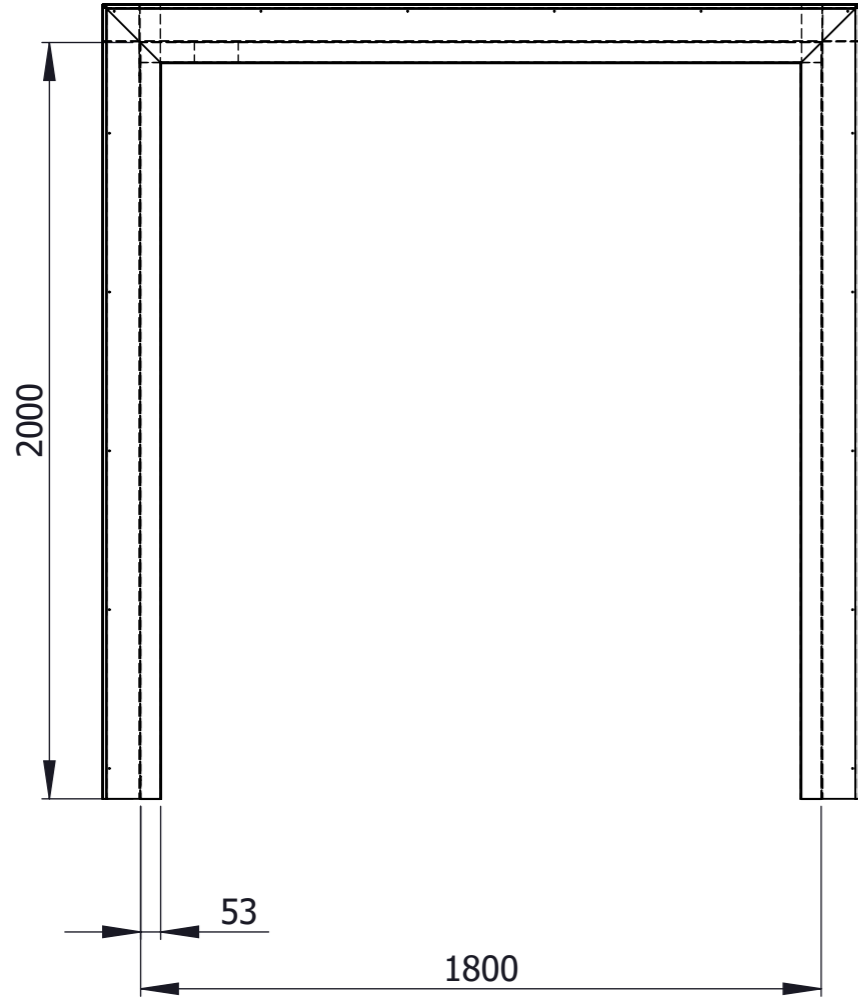


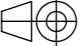

This document must not be copied without our written permission, and the contents thereof must not be imparted to a third party nor be used for any unauthorized purpose. Contention will be prosecuted. Wedholms AB



Drawn by PR	Date 2020-08-21	Approved by PR	V indicates R <sub>a</sub> in µm		Scale 1:20	Tolerances for untoleranced dimensions acc. to ISO 2768-1-m	
SILO Ø3000 Assembly of alcove						Standard	
						Weight 428893.06	
 Wedholms AB			Reference number	Drawing number 1000848		Revision E	

This document must not be copied without our written permission, and the contents thereof must not be imparted to a third party nor be used for any unauthorized purpose. Contention will be prosecuted. Wedholms AB

QTY.	POS	PART NUMBER	DESCRIPTION	DIMENTION	OPERATION
2	1	1001361	Wall		
1	2	1000842	Roof		
1	3	1000974	Right cover profile		
1	4	1000851	Left cover profile		
1	5	1000891	Right wall cover profile		
1	6	1000892	Roof cover profile		
1	7	1000893	Left wall cover profile		
1	8	1000894	Right inwall cover profile		
1	9	1000895	Roof inner cover profile		
1	10	1000896	Left inwall cover profile		
2	11	1000936	Floor bracket		

Drawn by PR	Date 2020-08-21	Approved by PR	$\sqrt{\quad}$ indicates $R_a$ in $\mu m$		Scale <b>1:20</b>	Tolerances for untoleranced dimensions acc. to ISO 2768-1-m	
TANK Assembly of alcove					Comments	Standard	
						Weight	
 Wedholms AB		Reference number	Drawing number <b>1000848</b>		Revision <b>E</b>		